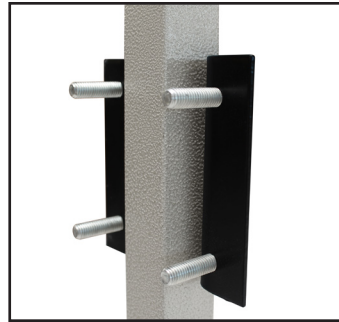


# FALCON CANOPY MOUNT (0° & 30°)

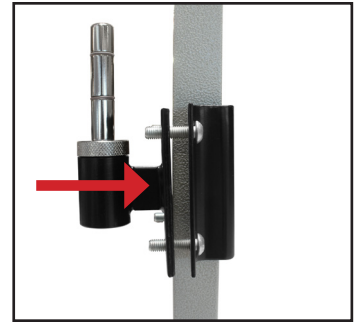
Set up instructions\* for the Falcon & Pinpoint Flag Mounts  
 \*Installation on Steel Canopy Frames & Aluminum Canopy Frames



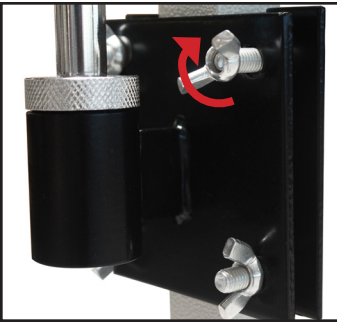
1. Insert screws into back plate using allen wrench.



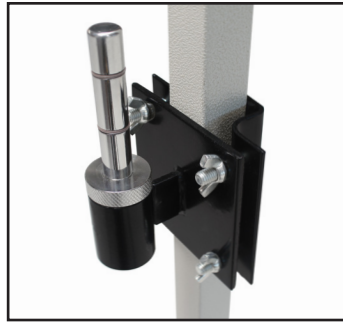
2. Hold against Casita leg.



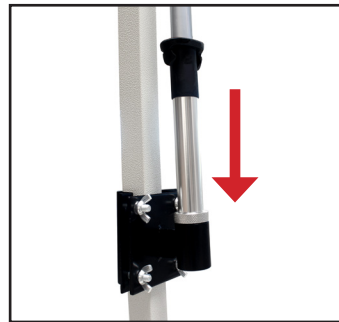
3. Affix front plate mount to back plate; insert screws using allen wrench.



4. Tighten wing nuts to secure Mount to Casita leg.

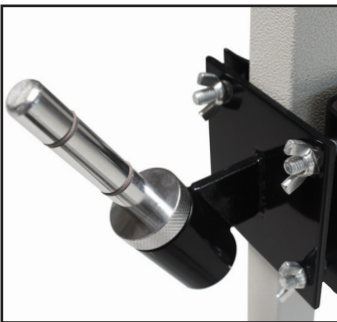


5. Mount setup complete.



6. Slide flagpole onto Mount to attach Falcon Flag.

## Other Options:



30° Falcon Flag Mount - Follow these instructions



Mount fits all Casita Frames.  
 Pictured: Aluminum frame - hexagon legs. Steel frame has square legs, as in the instructions.



0° Falcon Flag Mount



30° Falcon Flag Mount