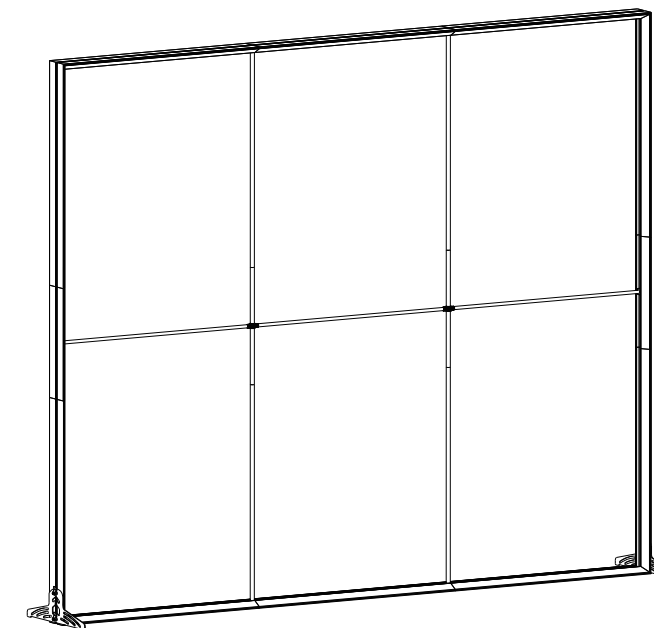


Plug in power supply



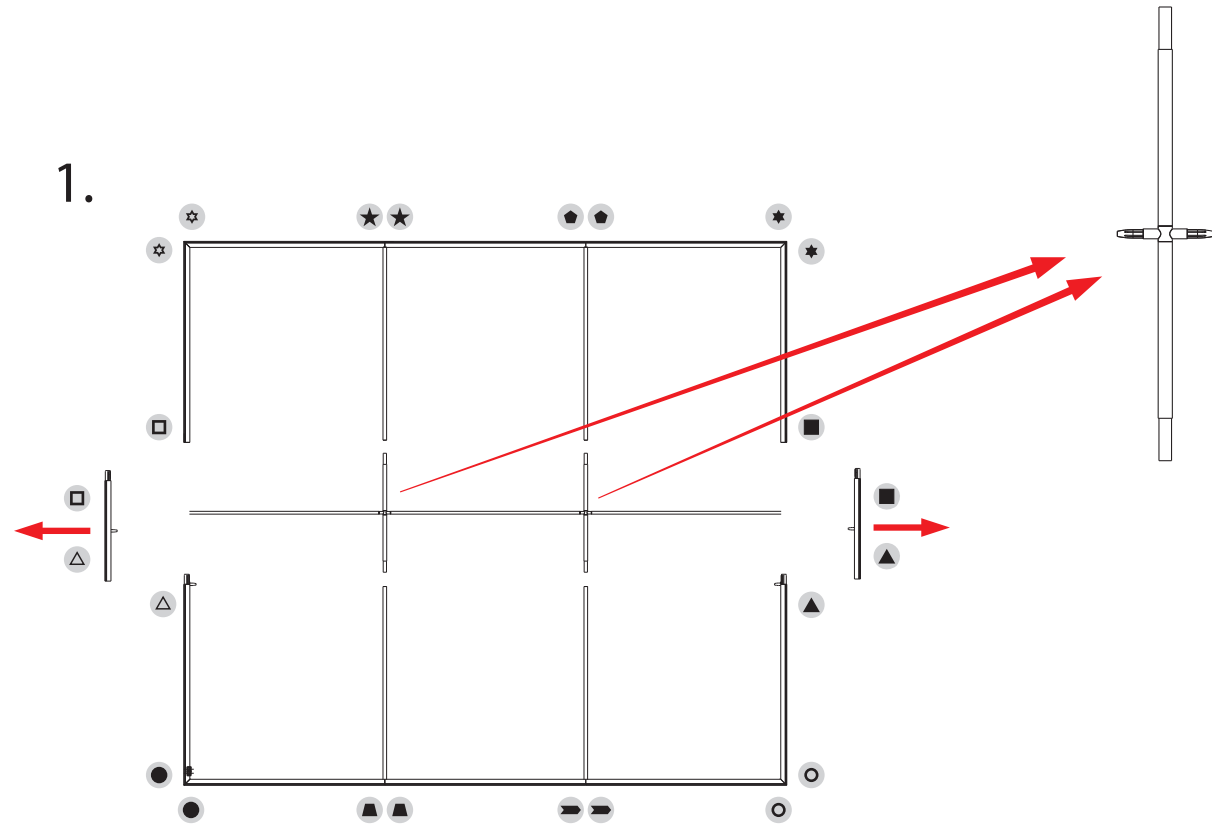
Note: size and assembly instructions displayed on this page are for the full size LightenUpTM frame. For the reduced height size (10'x6.5'), please review alternate instructions on page 2 before assembling frame.

Assembly Instructions



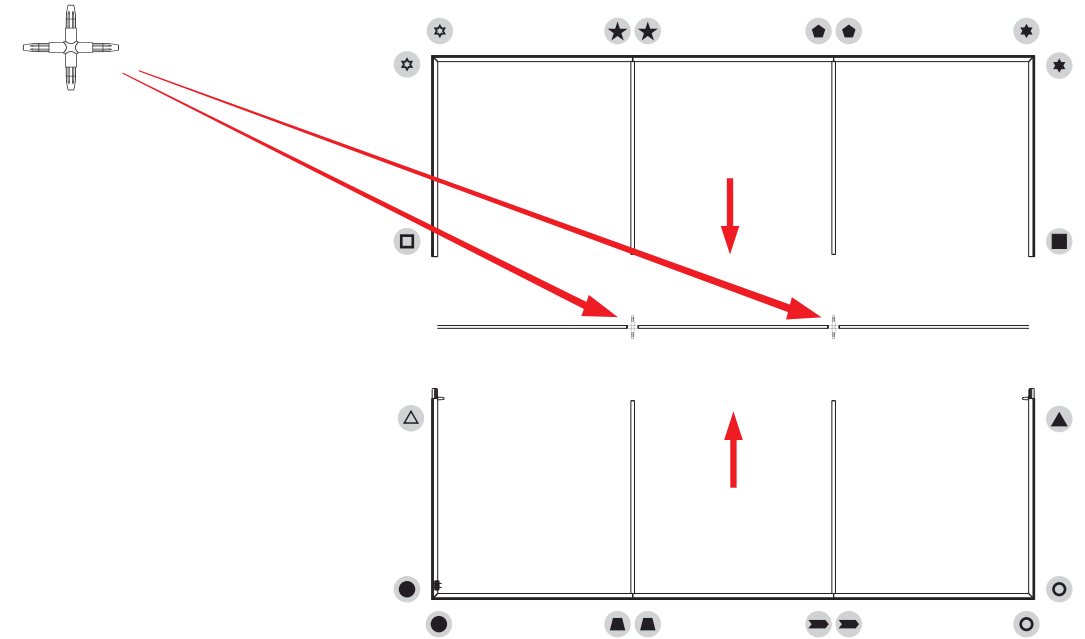
Frame Size: 10'x6.5'
(reduced height size)

1.



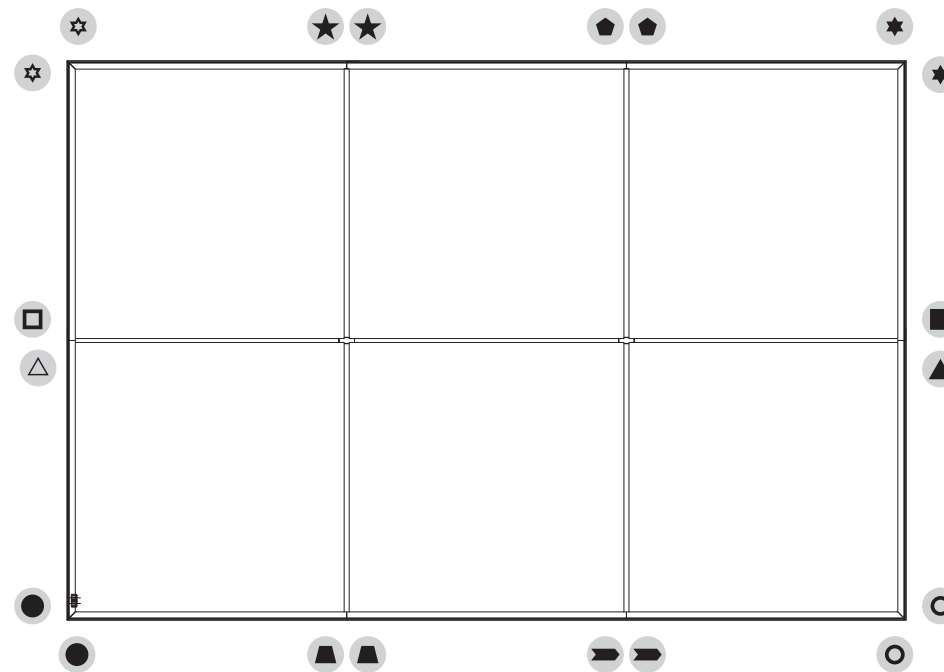
Remove Center Extrusion and Cross Bar Connector

2.



Add Reduced Height center Cross Bar Connector

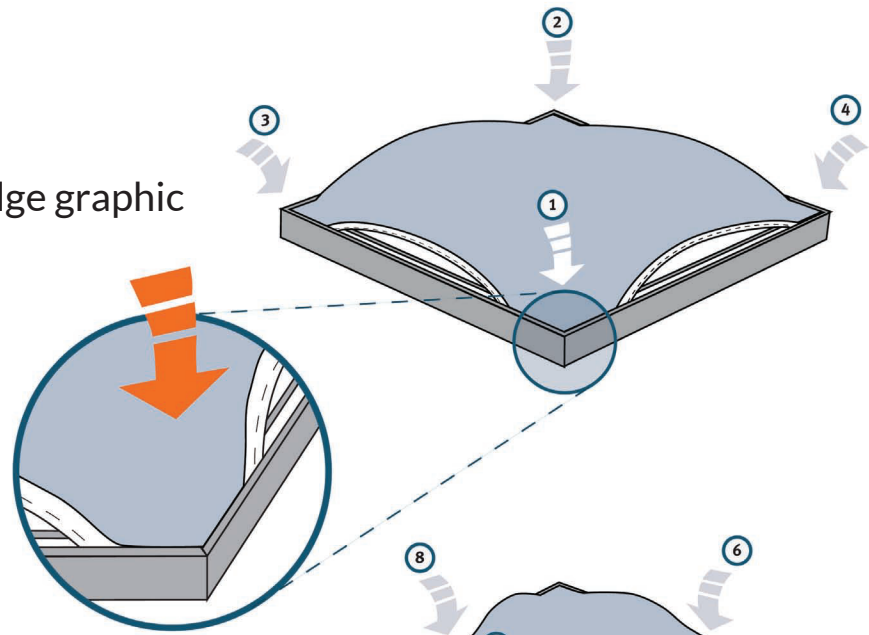
3.



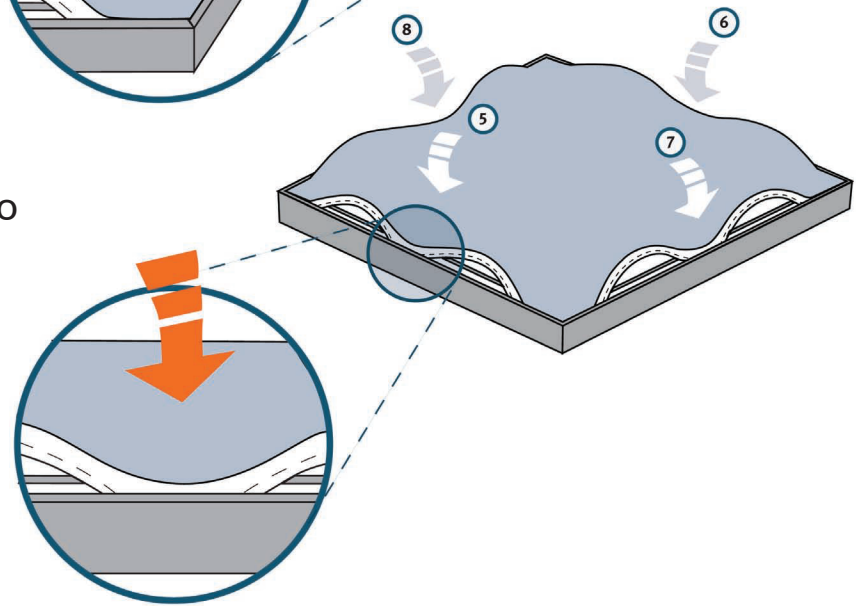
Graphic Installation Instructions



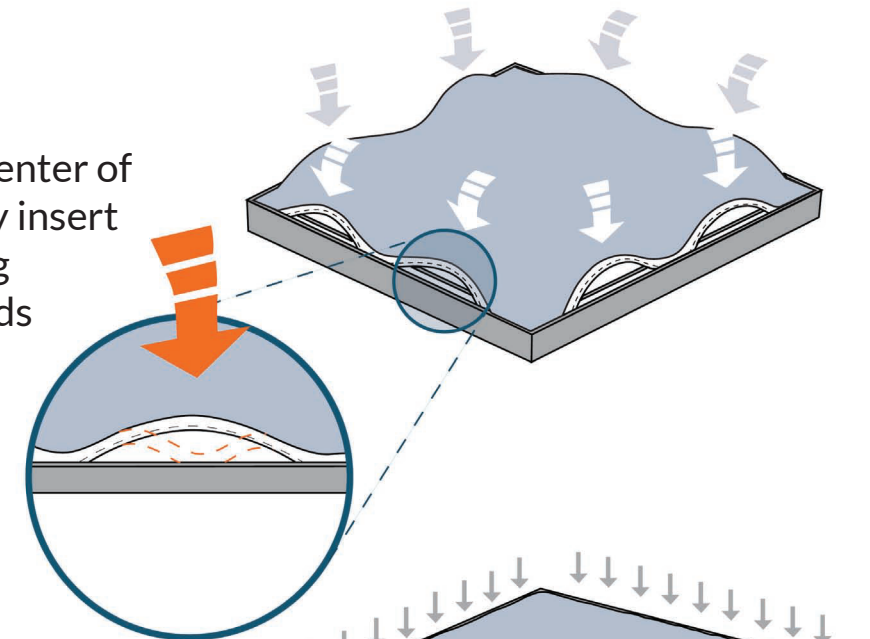
1 First, insert silicone edge graphic into all 4 corners



2 Next, insert graphic into the middle of all 4 sides



3 Starting in the center of each side, slowly insert graphic, working your way towards the corners



4 Repeat step 3 for each side until the graphic is smoothly inserted all the way around the frame

